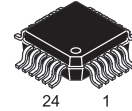


LOW POWER INTEGRATED TRANSMITTER FOR ISM BAND APPLICATIONS  
SEMICONDUCTOR TECHNICAL DATA

**Legacy Device:** Motorola MC13146

The ML13146 is an integrated RF transmitter targeted at ISM band applications. It features a 50 Ω linear Mixer with linearity control, voltage controlled oscillator, divide by 64/65 dual modulus Prescaler and Low Power Amplifier (LPA). Together with the receiver chip (ML13145) and either baseband chip (MC33410 or MC33411A/B), a complete 900 MHz cordless phone system can be implemented. This device may be used in applications up to 1.8 GHz.

- Low Distortion LPA:  $P_{out\_1dB}$  Compression Point 10 dBm
- High Mixer Linearity:  $IIP3 = 10$  dBm
- 50Ω Mixer Input Impedance
- Differential Open Collector Mixer Output
- Low Power 64/65 Dual Modulus Prescaler (ML12054 type)
- 2.7 to 6.5 V Operation, Low Current Drain (25 mA @ 2.0 GHz)
- Powerdown Mode: <60 μA
- Usable up to 1.8 GHz
- Operating Temperature Range  $T_A = -20^\circ$  to  $70^\circ C$



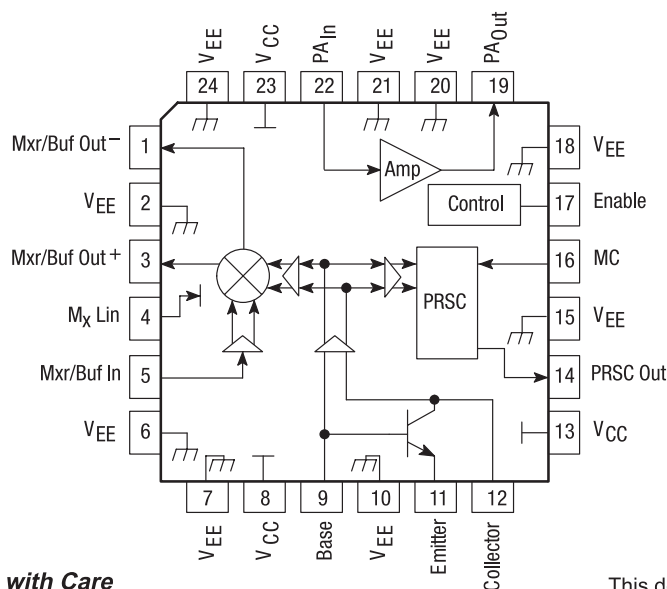
LQFP 24 = -9P  
PLASTIC PACKAGE  
CASE 977

**CROSS REFERENCE/ORDERING INFORMATION**

| PACKAGE | MOTOROLA   | LANSDALE   |
|---------|------------|------------|
| LQFP 24 | MC13146FTA | ML13146-9P |

**Note:** Lansdale lead free (**Pb**) product, as it becomes available, will be identified by a part number prefix change from **ML** to **MLE**.

**PIN CONNECTIONS**



ESD Sensitive — Handle with Care

This device contains 268 active transistors.

**MAXIMUM RATINGS**

| Rating                    | Symbol               | Value      | Unit |
|---------------------------|----------------------|------------|------|
| Power Supply Voltage      | V <sub>CC(max)</sub> | 7.0        | Vdc  |
| Junction Temperature      | T <sub>J(max)</sub>  | 150        | °C   |
| Storage Temperature Range | T <sub>stg</sub>     | -65 to 150 | °C   |

**NOTES:** 1. Maximum Ratings are those values beyond which damage to the device may occur. Functional operation should be restricted to the limits in the Recommended Operating Conditions, Electrical Characteristics tables or Pin Descriptions section.  
2. Meets Human Body Model (HBM) ≤100 V and Machine Model (MM) ≤25 V.

**RECOMMENDED OPERATING CONDITIONS**

| Characteristic                       | Symbol                             | Min      | Typ    | Max      | Unit       |
|--------------------------------------|------------------------------------|----------|--------|----------|------------|
| Power Supply Voltage (TA = 25°C)     | V <sub>CC</sub><br>V <sub>EE</sub> | 2.7<br>- | -<br>0 | 6.5<br>- | Vdc<br>Vdc |
| RF Frequency Range                   | f <sub>RF</sub>                    | 1.0      | -      | 2500     | MHz        |
| Ambient Temperature Range            | T <sub>A</sub>                     | -20      | -      | 70       | °C         |
| Maximum Input Signal Level           | P <sub>IF</sub>                    | -        | -10    | -        | dBm        |
| - with no damage                     |                                    | -        | 15     | -        | dBm        |
| - with minor performance degradation |                                    | -        |        | -        | dBm        |

**TRANSMITTER DC ELECTRICAL CHARACTERISTICS** (TA = 25°C, V<sub>CC</sub> = 3.6 Vdc, no input signal, unless otherwise noted)

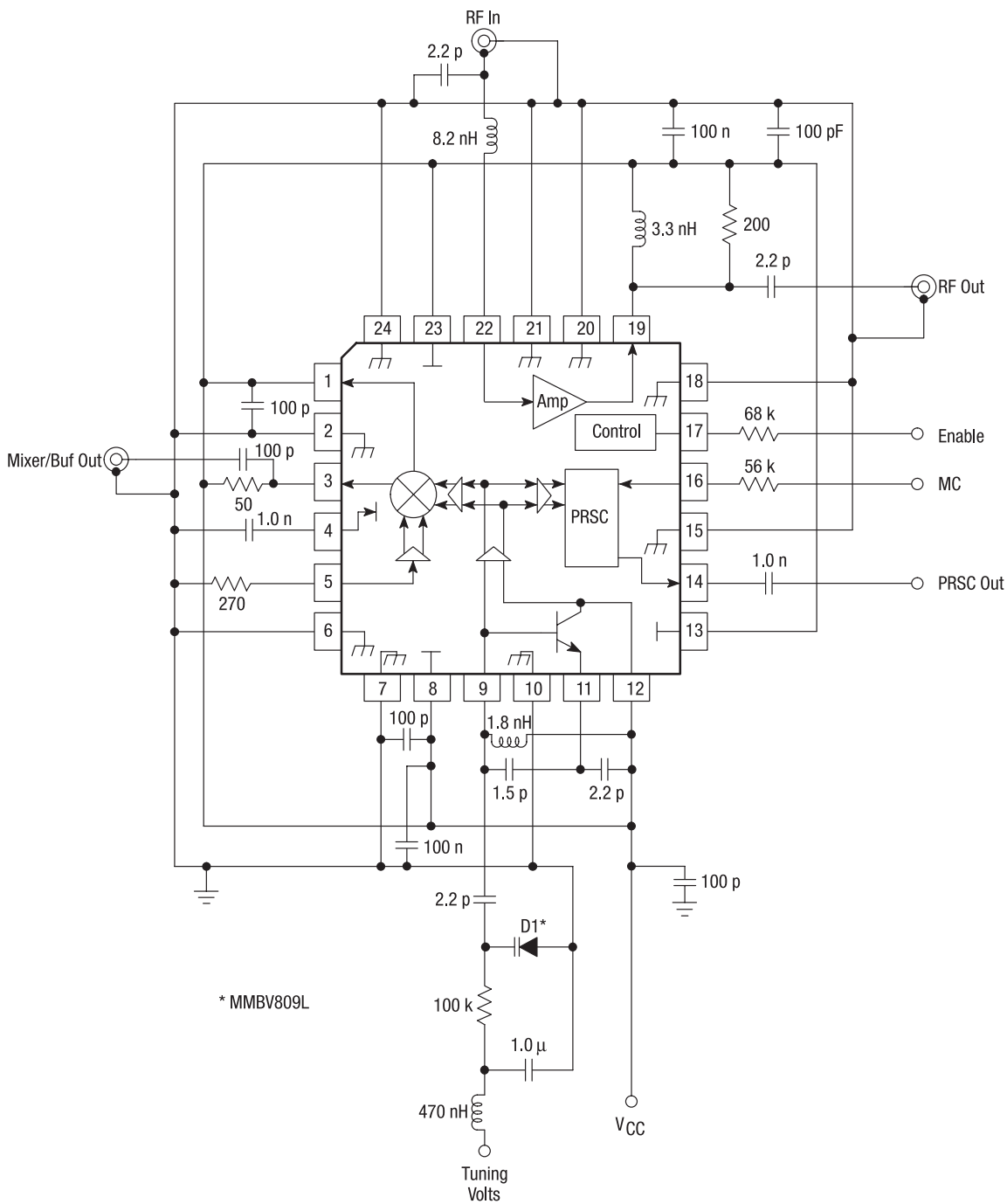
| Characteristic                                   | Symbol             | Min                   | Typ  | Max | Unit |
|--|--------------------|-----------------------|------|-----|------|
| Total Supply Current (Enable = V <sub>CC</sub> ) | I <sub>total</sub> | 15                    | 18   | 21  | mA   |
| Power Down Current (Enable = V <sub>EE</sub> )   | I <sub>total</sub> | -                     | 30   | 100 | μA   |
| MC Current Input (High)                          | I <sub>ih</sub>    | 70                    | 100  | 130 | μA   |
| MC Current Input (Low)                           | I <sub>il</sub>    | -130                  | -100 | -70 | μA   |
| Input high voltage                               | V <sub>ih</sub>    | V <sub>CC</sub> - 0.4 | -    | -   | V    |
| Input low voltage                                | V <sub>il</sub>    | -                     | -    | 0.4 | V    |
| Input Current                                    | I <sub>in</sub>    | -50                   | -    | 50  | μA   |

**TRANSMITTER AC ELECTRICAL CHARACTERISTICS** (TA = 25°C, V<sub>CC</sub> = 3.6 Vdc, Enable = 3.6 Vdc, per Test Circuit shown in Figure 1, unless otherwise noted)

| Characteristics   | Input Pin        | Measure Pin         | Symbol                  | Min  | Typ  | Max  | Unit   |
|---|------------------|---------------------|-------------------------|------|------|------|--------|
| Amplifier Output Power (with external matching)<br>@ 950 MHz; P <sub>in</sub> = -19 dBm                   | PA <sub>in</sub> | PA <sub>out</sub>   | P <sub>A_PO</sub>       | -4.5 | -3.3 | -2.1 | dBm    |
| Amplifier 1.0 dB Compression Point (@ 950 MHz =<br>f <sub>IF_out</sub> )                                  | PA <sub>in</sub> | PA <sub>out</sub>   | P <sub>1dBc.Pt.</sub>   | -    | 8.0  | -    | dBm    |
| Amplifier Output Harmonics (with external matching)<br>@ 950 MHz; P <sub>in</sub> = -19 dBm               | PA <sub>in</sub> | PA <sub>out</sub>   |                         |      |      |      | dBc    |
| 2nd   |                  |                     | P <sub>A-2f</sub>       | -25  | -37  | -    |        |
| 3rd   |                  |                     | P <sub>A-3f</sub>       | -35  | -52  | -    |        |
| Low Power Amplifier<br>Power Gain @ 950 mA (matching required)  |                  |                     |                         | -    | 16   | -    | dB     |
| Mixer/Buffer Output (@ 950 MHz = f <sub>OSC</sub> ; Mixer input<br>(Pin 5) pulled through 270 Ω resistor) |                  | Buf <sub>out+</sub> | P <sub>Mx/Buf_out</sub> | -19  | -18  | -17  | dBm    |
| PLL Setup Time [Note 1]   | MC               | PRSC <sub>out</sub> | T <sub>PLL</sub>        | -    | 10   | -    | nS     |
| Mixer Input Third Order Intercept Point   |                  |                     | IIP3                    | -    | 10   | -    | dBm    |
| VCO Phase Noise (@ 10 kHz offset)   |                  | Buf <sub>out+</sub> |                         | -    | -80  | -    | dBc/Hz |
| Prescaler Output Level (10 k    8.0 pF Load)  |                  | PRSC <sub>out</sub> |                         | 450  | -    | 600  | mVpp   |

**NOTES:** 1. MC input (50%) to PRSC<sub>out</sub> rising output (50%) for proper modulus selection.  
2. Typical performance parameters indicate the potential of the device under ideal operation conditions.

Figure 1. Test Circuit



PIN FUNCTION DESCRIPTION

| Pin             | Symbol/Type                   | Description | Description   |
|-----------------|-------------------------------|-------------|---|
| 1, 3            | Mxr/Buf Out-,<br>Mxr/Buf Out+ |             | <p><b>Mixer/Buffer Outputs</b><br/>The Mixer/Buffer is a differential open collector configuration which designed to use over a wide frequency range for up conversion as well as direct conversion. Differential to single-ended circuit configuration and matching options are discussed in the Circuit Description section. 6.0 dB of additional Mixer gain can be achieved by conjugately matching the outputs at the desired RF frequency.</p> |
| 2               | V <sub>EE</sub>               |             | <p><b>V<sub>EE</sub>, Negative Supply</b><br/>This pin is V<sub>EE</sub> supply for the mixer IF output. In the application PC board this pin is tied to a common V<sub>EE</sub> trace with other V<sub>EE</sub> pins.</p>  |
| 4               | Mx Lin                        |             | <p><b>Mixer Linearity Control</b><br/>The mixer linearity control circuit accepts approximately 0 to 200 <math>\mu</math>A control current to set the dynamic range of the mixer. An Input Third Order Intercept Point, IIP3 of 17 dBm may be achieved at 200 <math>\mu</math>A of control current.</p>   |
| 5               | Mxr/Buf In                    |             | <p><b>Mixer/Buffer Input</b><br/>The mixer input impedance is broadband 50 <math>\Omega</math> for applications up to 2.4 GHz.</p>  |
| 6, 7, 18,<br>24 | V <sub>EE</sub>               |             | <p><b>V<sub>EE</sub>, Negative Supply</b><br/>These pins are substrate connections on the IC. In the application PC board these pins are tied to a common V<sub>EE</sub> trace with other V<sub>EE</sub> pins.</p>  |
| 8               | V <sub>CC</sub>               |             | <p><b>V<sub>CC</sub>, Supply Voltage</b><br/>Two V<sub>CC</sub> pins are provided for the Local Oscillator and LO Buffer Amplifier. The operating supply voltage range is from 2.7 Vdc to 6.5 Vdc. In the PCB layout, the V<sub>CC</sub> trace must be kept as wide as feasible to minimize inductive reactances along the trace. V<sub>CC</sub> should be decoupled to V<sub>EE</sub> at the IC pin.</p>   |
| 9               | Base                          |             | <p><b>On-board VCO Transistor</b><br/>The transistor has the emitter, base, collector, V<sub>CC</sub> and V<sub>EE</sub> pins available. Internal biasing which is compensated for stability over temperature is provided. It is recommended that the base pin is pulled up to V<sub>CC</sub> through an RFC chosen for the particular oscillator center frequency. The application circuit shows a Colpitts oscillator configuration.</p>          |
| 10              | V <sub>EE</sub>               |             |   |
| 11              | Emitter                       |             |   |
| 12              | Collector                     |             |   |

PIN FUNCTION DESCRIPTION (continued)

| Pin    | Symbol/Type       | Description | Description  |
|--------|-------------------|-------------|--|
| 13     | V <sub>CC</sub>   |             | <b>V<sub>CC</sub>, Supply Voltage</b>  |
| 14     | PRSC Out          |             | <b>Prescaler Output</b><br>The prescaler output provides 500 mVpp drive to the F <sub>in</sub> Pin of a PLL synthesizer. Conjugately matching the interface will increase the drive delivered to the PLL input.  |
| 15     | V <sub>EE</sub>   |             | <b>V<sub>EE</sub>, Negative Supply</b>   |
| 16     | MC                |             | <b>Dual Modulus Control Current Input</b><br>This requires a current input of typically 200 μApp.  |
| 17     | Enable            |             | <b>Transmitter Enable</b><br>Enable the transmitter by pulling the pin up to V <sub>CC</sub> .   |
| 19     | PA <sub>out</sub> |             | <b>PA Out</b><br>The output is an open collector of the cascode transistor low power amplifier (LPA); it is externally biased. The output may be conjugately matched with a shunt L, and series L and C network.   |
| 20, 21 | V <sub>EE</sub>   |             | <b>V<sub>EE</sub>, Negative Supply</b><br>V <sub>EE</sub> pin is taken to an ample dc ground plane through a low impedance path. The path should be kept as short as possible. A two sided PCB is implemented so that ground returns can be easily made through via holes. |
| 22     | PA <sub>in</sub>  |             | <b>PA In</b><br>The input is the base of the common emitter transistor. Minimum external matching is required to optimize the input return loss and gain.  |
| 23     | V <sub>CC</sub>   |             | <b>V<sub>CC</sub>, Positive Supply</b><br>V <sub>CC</sub> pin is taken to the incoming positive battery or regulated dc voltage through a low impedance trace on the PCB. It is decoupled to V <sub>EE</sub> ground at the pin of the IC.                                  |

## CIRCUIT DESCRIPTION

### General

The ML13146 consists of a low power amplifier, a 50 Ω linear mixer with linearity control, divide by 64/65 dual modulus prescaler and LPA. This device is designated for use as the low power transmitter in analog and digital FM systems such as UHF and 800 MHz Special Mobile Radio (SMR), UHF Family Radio Services, PCS and 902 to 928MHz cordless telephones. It features a mixer linearity control to preset or auto program the mixer dynamic range, an enable function and a wideband mixer output so the IC may be used either as an up converter or for a direct conversion source. Additional details are covered in the Pin by Pin Description which shows the equivalent internal circuit and external circuit requirements.

### Current Regulation/Enable

The device features temperature compensating, voltage independent current regulators which are controlled by the enable function in which “high” powers up the IC.

### Mixer: General

The mixer is a double-balanced four quadrant multiplier biased class AB allowing for programmable linearity control via an external current source. An input third order intercept point of 20 dBm has been achieved. The mixer has a 50 Ω single-ended RF input and open collector differential outputs. An onboard Local Oscillator transistor has the emitter, base and collector pinned out to implement a low phase noise VCO in various configurations. Additionally, a buffered prescaler output is provided for operation with a low frequency synthesizer. For direct conversion applications the input of the mixer may be terminated to ground through a 120 to 330 Ω resistor.

### Local Oscillator/Voltage Control Oscillator

The on-chip transistor operates with coaxial transmission line or LC resonant elements to over 1.8 GHz. Biasing is done with a temperature/voltage compensated current source in the emitter. A RFC from  $V_{CC}$  to the base is recommended. The transistor can be operated in the classic Colpitts, Clapp, or Hartley configuration. The application circuit (Figure 8) depicts a parallel resonant VCO which can cover the entire 902 to 928 MHz frequency band with phase noise of approximately -80 dBc/Hz at a 10 kHz offset (see Figure 2). For this configuration, the LO will be driven with approximately 100 mVrms, and the frequency of oscillation can be approximated by:

$$F_{osc} = \frac{1}{2\pi \sqrt{\left(\frac{C1 C2}{C1 + C2}\right) \left(\frac{C3 C_v}{C3 + C_v} + 3.6 \text{ pF}\right) (L1 + 1.8 \text{ nH})}}$$

where  $C_v$  is the equivalent capacitance of the varactor at the control voltage.

For higher frequency operation, a series tuned oscillator configuration is recommended. Table 1 contains the S-parameters for the VCO transistor in a common collector configuration. This information is useful for designing a VCO at other operating frequencies or for various other oscillator topologies.

The output power (at Mix/Buf Out) can be varied by adjusting the value of  $R_5$  as illustrated in Figures 3 and 4. Figure 5 shows the typical operating window for the prescaler.

Figure 2. Typical Tuning Performance

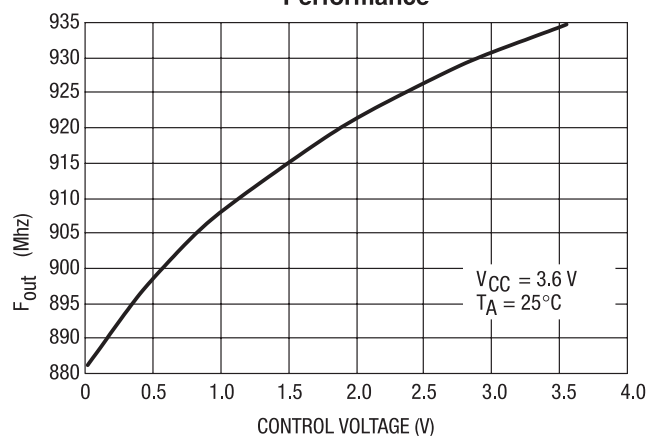


Figure 3. Mixer/Buffer Output versus 1st LO Input

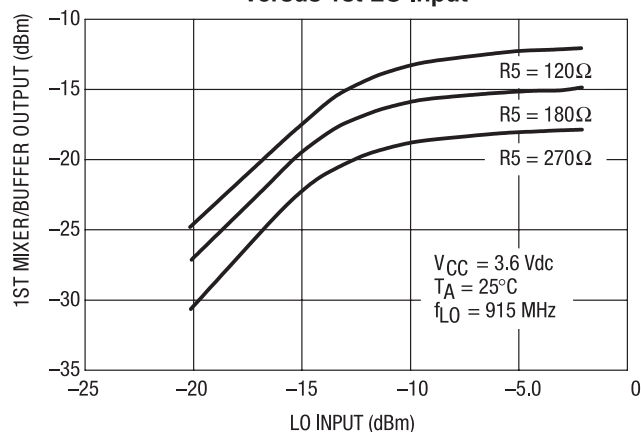


Figure 4. Test Circuit for Figure 3.

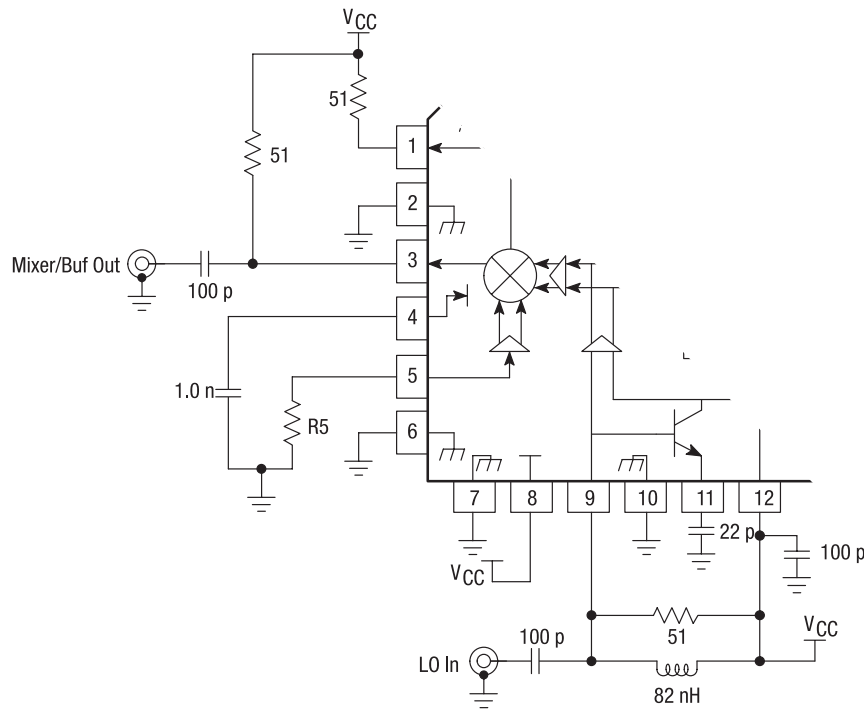
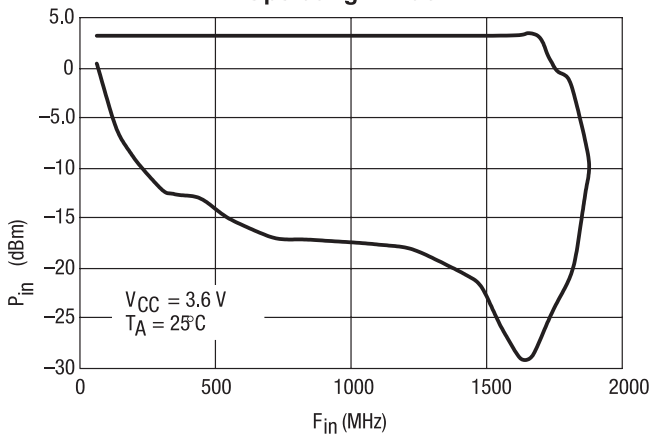


Figure 5. Typical Prescaler Operating Window



### Mixer/Buffer Input

The Mixer/Buf In pin is a broadband, 50  $\Omega$  input used to drive the IF port of the mixer (see Table 2, S11 parameters). The Mixer/Buf In pin can be used in one of three modes:

1. A IF signal can be applied to this pin and up-converted to the desired RF frequency.
2. A resistor can be connected to ground, controlling the RF output power.
3. A resistor can be connected to  $V_{CC}$ , disabling the entire mixer.

The linear gain of the Mixer/Buf when used as a buffer is approximately  $-5.0$  to  $-8.0$  dB.

### Mixer/Buffer Outputs

The mixer outputs (Mixer/Buf Out + and Mixer/Buf Out -) are balanced, open collector. A shunt resistor of 200  $\Omega$  minimum to  $V_{CC}$  is recommended for stability.

The outputs can be used as a single-ended driver or connected in a balanced-to-unbalanced configuration. If the single-ended driver configuration is used, the unused output must be tied directly to  $V_{CC}$ . For the balanced-to-unbalanced configuration, an additional 3.0 to 6.0 dB of power gain can be achieved. Conjugate matching is easily accomplished to the desired load by the addition of a shunt and series element (see Table 2, S22 parameters).

### Low Power Amplifier (LPA)

The LPA is internally biased at low supply current (approximately 2.0 mA emitter current) for optimal low power operation, yielding a 10 dBm 1.0 dB output power compression point. Input and output matching may be achieved at various frequencies using few external components (see Table 3 S-parameters). Typical power gain is 16 dB with the input/output conjugately matched to the source/load impedance. A minimum 200  $\Omega$  shunt resistor from the output to  $V_{CC}$  is recommended for stability.

Figure 6.  $I_{CC}$  versus Temperature

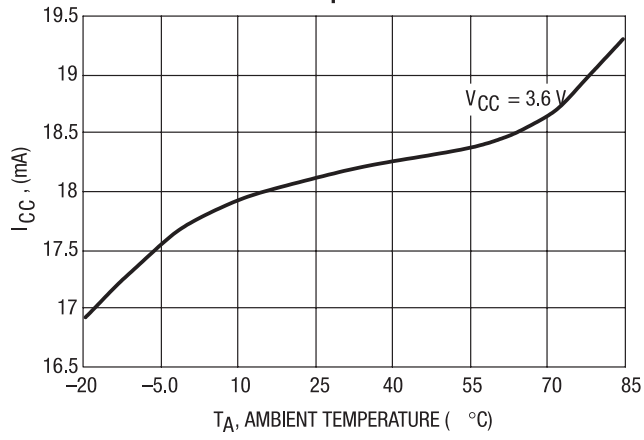


Figure 7. Output Power versus Temperature

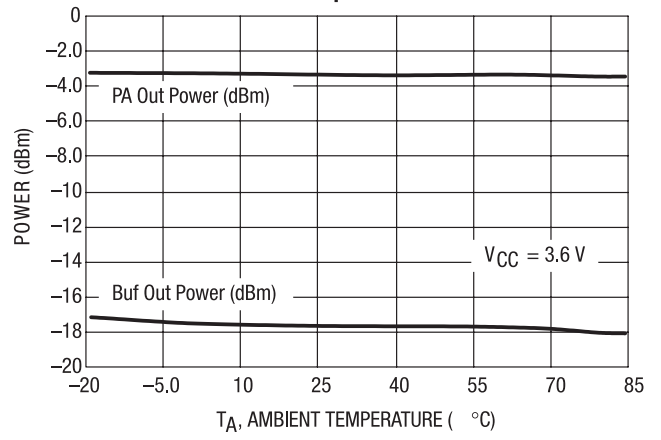
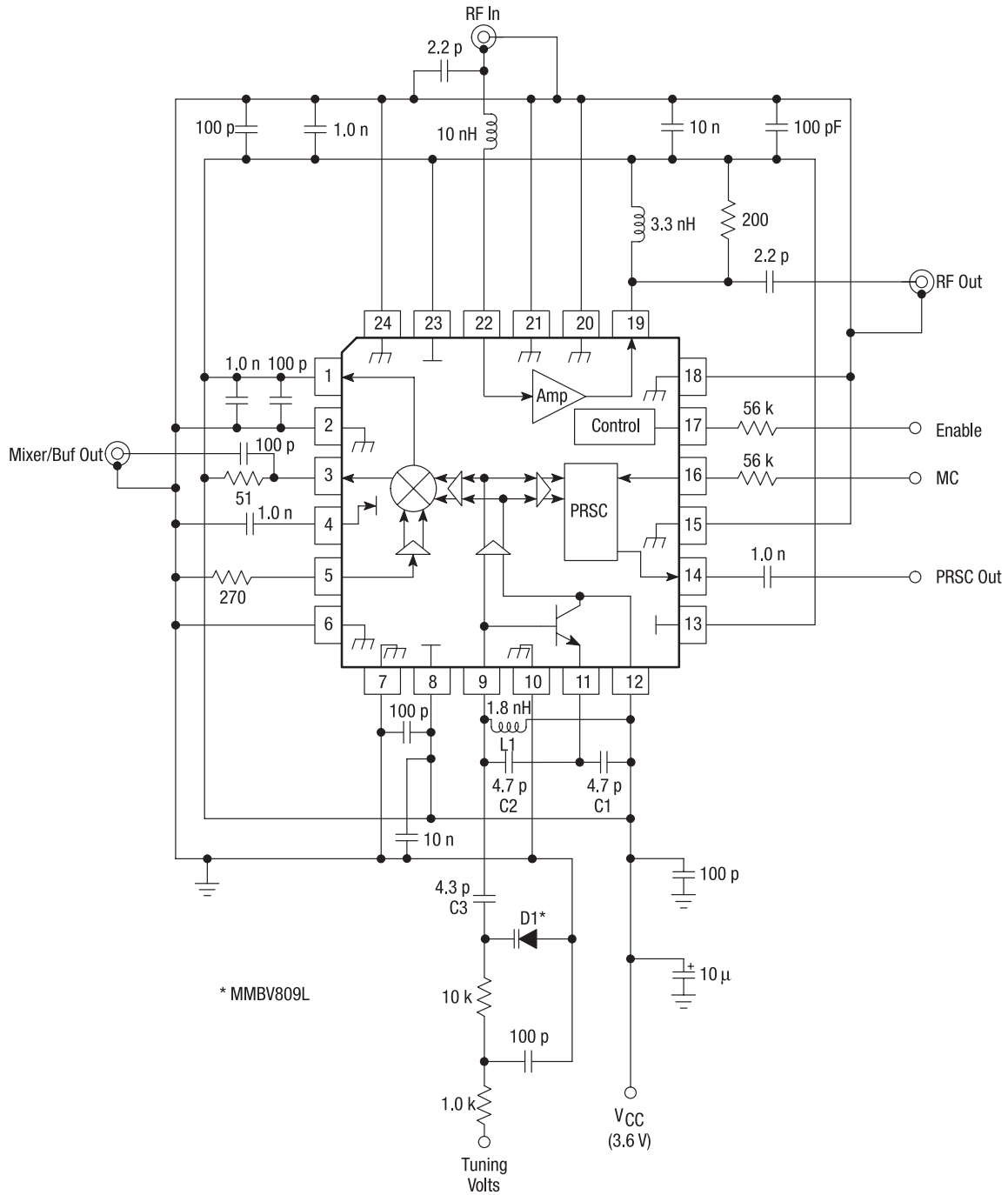




Figure 8. Applications Circuit



Legacy Applications Information

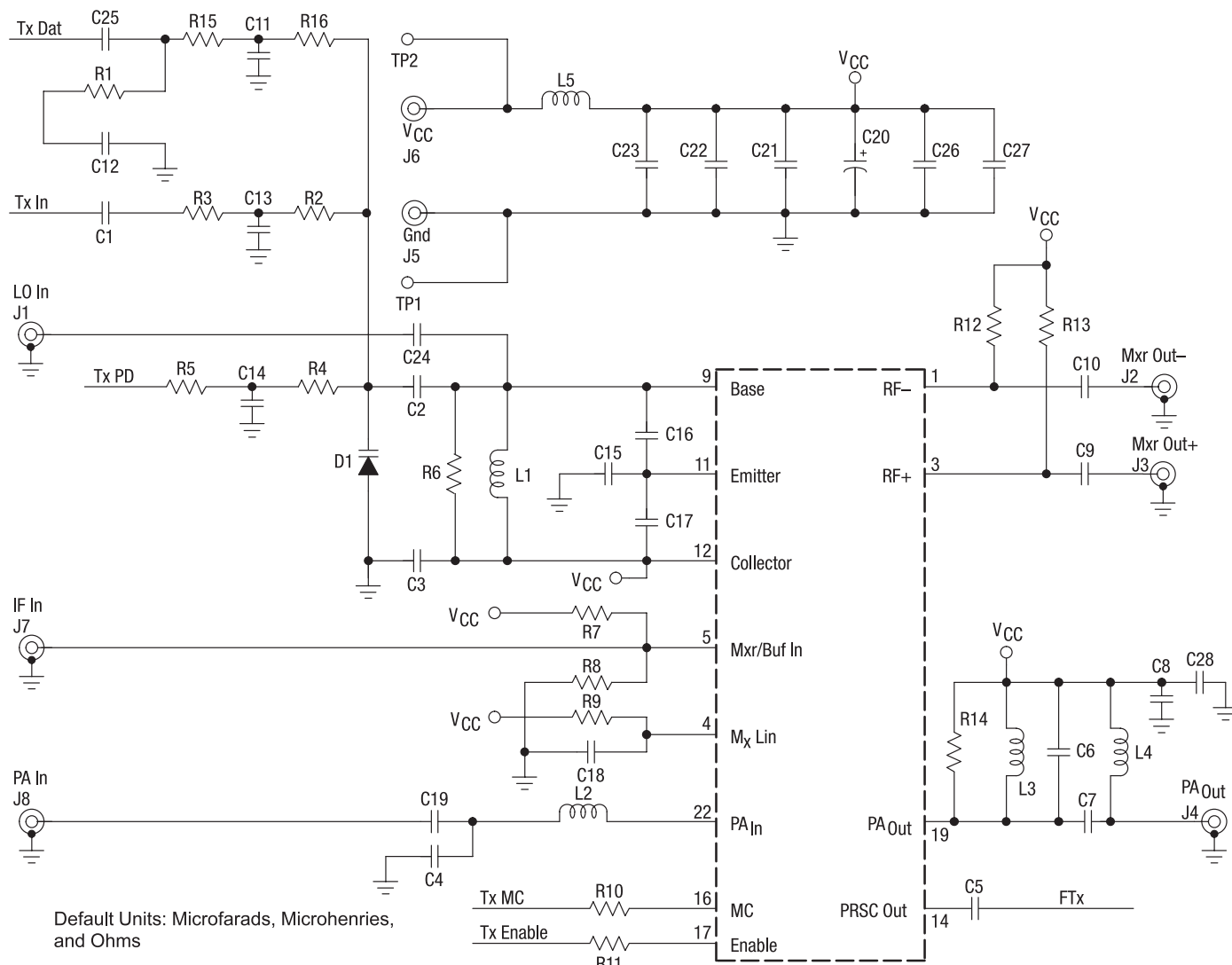
Evaluation PCB

The evaluation PCB is a versatile board which allows the ML13146 to be configured as a basic transmitter, or to characterize individual operating parameters.

The general purpose schematic and associated parts list for the PCB is given in Figure 9. This parts list build-up is identical to the Test Circuit illustrated in Figure 1, although parameters can vary significantly due to differences in PCB parasitics. Figures 10, 11, and 12 show the actual PCB component, ground and solder sides, respectively.

Please refer to AN1687/D and AN1691/D for additional details and applications for the device.

Figure 9. Evaluation PCB Schematic

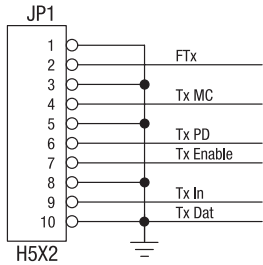


Default Units: Microfarads, Microhenries, and Ohms

- R1,R2,R3,R15,R16, C1,C11,C12,C13,C25, R6,R7,R9,L4,J1,J2,J7, C6,C10,C15,C24
- R4
- R5,R12,C19
- R8
- R10
- R11
- R13
- R14
- C2
- C3,C8,C9,C26,C27
- C4, C7
- C5,C18,C21,C22,C23
- C14

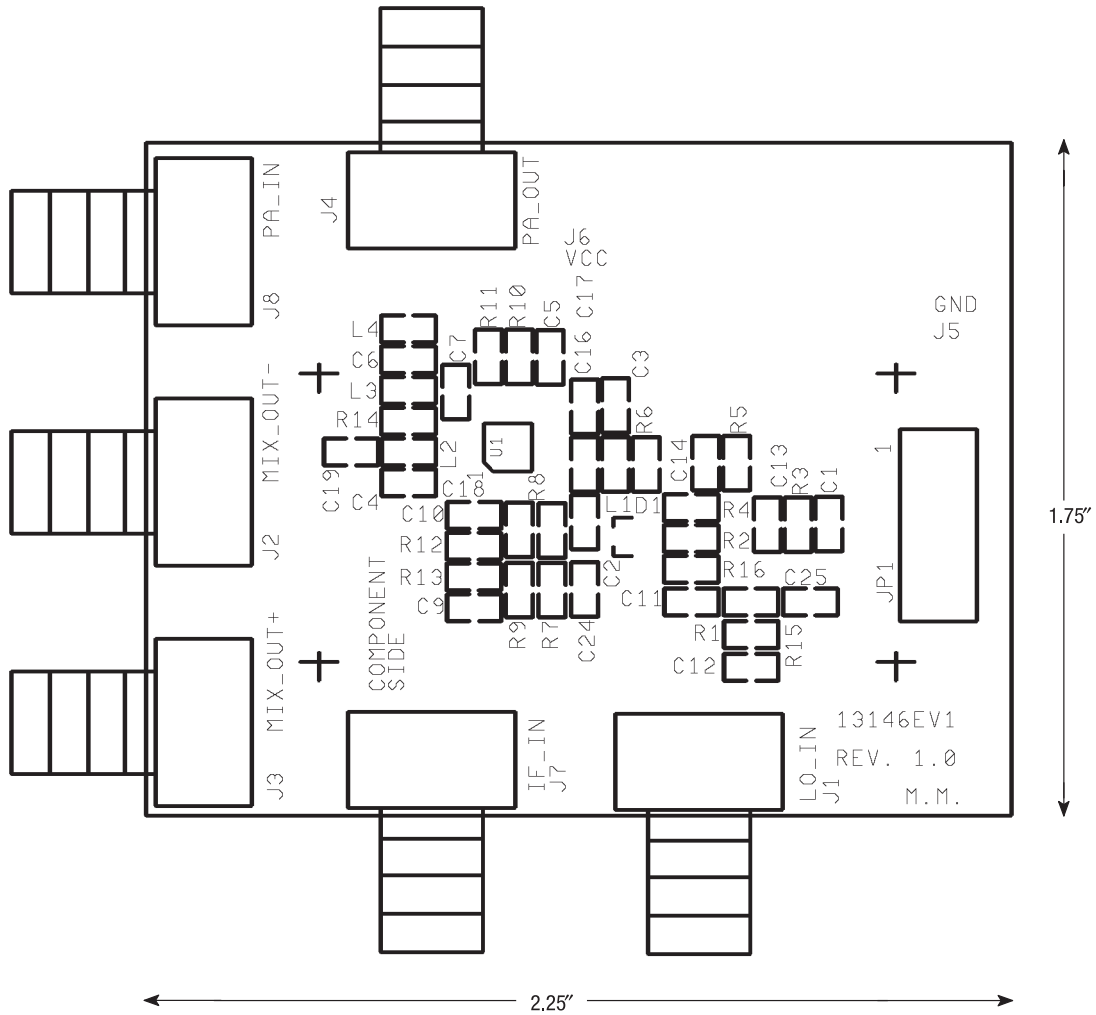
- No component
- 100 k
- Short
- 270
- 56 k
- 68 k
- 51
- 200
- 2.2 p
- 100 p
- 2.2 p
- 1.0 n
- 1.0 μ

- C16 1.5 p
- C17 2.2 p
- C20 10 μ
- C28 10 n
- L1 1.8 n
- L2 8.2 n
- L3 3.3 n
- L5 RFC
- D1 MMBV809LT1
- J3,J4,J8 SMA EF Johnson 142-0701-851
- J5,J6 Banana Johnson Components 108-0902-001
- JP1 Header, 5x2
- U1 ML13146-9P



Legacy Applications Information

Figure 10. ML13146 Evaluation PCB Component Side



Legacy Applications Information

Figure 11. ML13146 Evaluation PCB Ground Plane

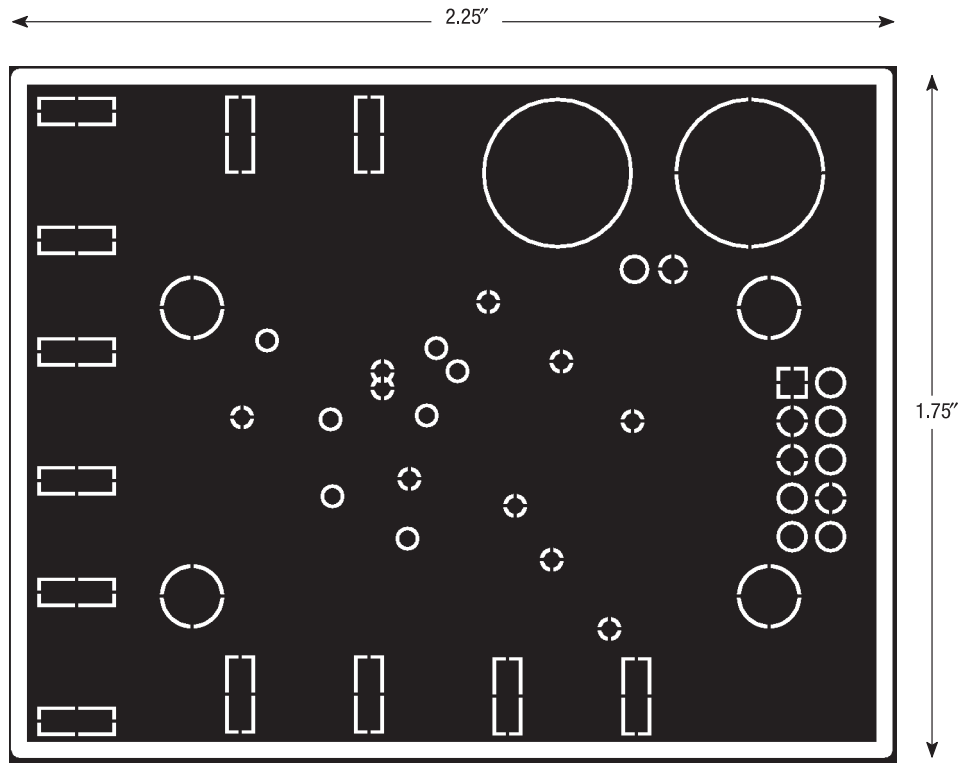


Figure 12. ML13146 Evaluation PCB Solder Side

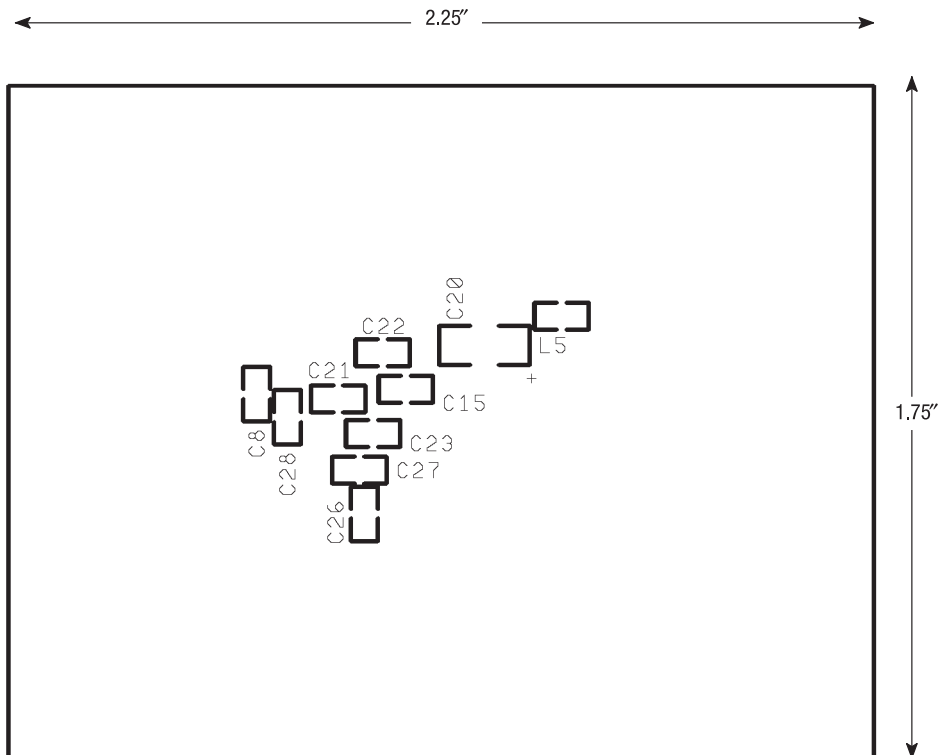


Table 1. VCO Transistor S-Parameters 3.6 Vdc; 50  $\Omega$  Load and Source Impedance; Common Collector

| Freq (MHz) | S11 Mag | S11 Ang | S21 Mag | S21 Ang | S12 Mag | S12 Ang | S22 Mag | S22 Ang |
|------------|---------|---------|---------|---------|---------|---------|---------|---------|
| 25         | 0.99    | -1      | 0.88    | 0       | 0.01    | 44      | 0.10    | -7      |
| 50         | 0.99    | -2      | 0.92    | -1      | 0.02    | 61      | 0.09    | -9      |
| 100        | 0.98    | -5      | 0.95    | -2      | 0.04    | 70      | 0.07    | -37     |
| 150        | 0.98    | -7      | 0.97    | -3      | 0.06    | 73      | 0.07    | -47     |
| 200        | 0.97    | -10     | 1.04    | -4      | 0.07    | 73      | 0.06    | -86     |
| 300        | 0.95    | -14     | 1.11    | -8      | 0.10    | 71      | 0.09    | -124    |
| 400        | 0.93    | -19     | 1.23    | -12     | 0.13    | 67      | 0.14    | -149    |
| 450        | 0.92    | -21     | 1.26    | -14     | 0.15    | 66      | 0.15    | -155    |
| 500        | 0.91    | -23     | 1.30    | -16     | 0.16    | 65      | 0.17    | -159    |
| 600        | 0.86    | -28     | 1.35    | -20     | 0.19    | 61      | 0.20    | -167    |
| 750        | 0.79    | -37     | 1.46    | -25     | 0.24    | 57      | 0.26    | -172    |
| 800        | 0.79    | -39     | 1.48    | -26     | 0.25    | 56      | 0.28    | -174    |
| 850        | 0.77    | -42     | 1.48    | -28     | 0.26    | 54      | 0.29    | -177    |
| 900        | 0.74    | -44     | 1.47    | -31     | 0.28    | 52      | 0.28    | -179    |
| 950        | 0.67    | -49     | 1.53    | -35     | 0.30    | 49      | 0.31    | 174     |
| 1000       | 0.61    | -55     | 1.59    | -38     | 0.33    | 47      | 0.34    | 171     |
| 1250       | 0.45    | -81     | 1.61    | -50     | 0.41    | 38      | 0.38    | 157     |
| 1500       | 0.35    | -159    | 1.68    | -67     | 0.53    | 16      | 0.38    | 134     |
| 1750       | 0.85    | 107     | 1.60    | -100    | 0.57    | -15     | 0.33    | 97      |
| 2000       | 1.02    | 76      | 1.17    | -117    | 0.47    | -32     | 0.18    | 86      |
| 2250       | 1.25    | 76      | 1.13    | -125    | 0.55    | -38     | 0.19    | 89      |
| 2500       | 1.58    | 53      | 0.84    | -150    | 0.56    | -64     | 0.09    | 57      |

Table 2. Mixer Input/Output S-Parameters: 200  $\Omega$  Pull-Up Resistor

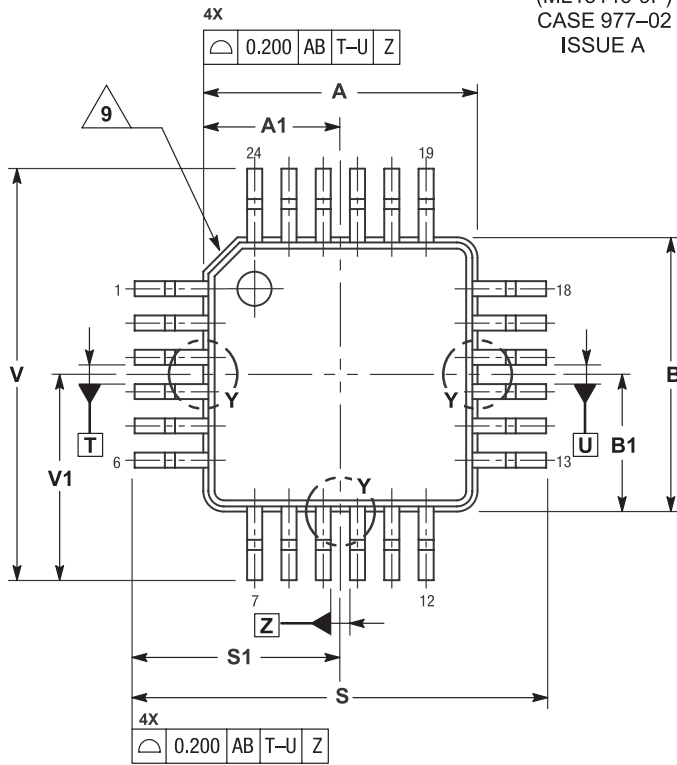
| Freq (MHz) | S11 Mag | S11 Ang | S21 Mag | S21 Ang | S12 Mag | S12 Ang | S22 Mag | S22 Ang |
|------------|---------|---------|---------|---------|---------|---------|---------|---------|
| 50         | 0.11    | 176.8   | 0.43    | -4.2    | 0.001   | 38.7    | 0.60    | -1.9    |
| 100        | 0.11    | 177.9   | 0.43    | -7.5    | 0.002   | 19.8    | 0.60    | -3.5    |
| 200        | 0.11    | 179.4   | 0.42    | -13.7   | 0.001   | 28.3    | 0.60    | -6.7    |
| 300        | 0.10    | 179.5   | 0.42    | -20.7   | 0.001   | 69.8    | 0.61    | -9.9    |
| 400        | 0.10    | 177.2   | 0.42    | -27.3   | 0.001   | 106.3   | 0.61    | -13.2   |
| 450        | 0.11    | 174.9   | 0.41    | -31.1   | 0.001   | 135.2   | 0.62    | -14.8   |
| 500        | 0.10    | 177.7   | 0.42    | -34.1   | 0.002   | 138.2   | 0.62    | -16.6   |
| 600        | 0.09    | 174.3   | 0.42    | -41.8   | 0.003   | 150.5   | 0.63    | -20.0   |
| 700        | 0.09    | 167.2   | 0.41    | -49.3   | 0.005   | 158.7   | 0.64    | -23.5   |
| 750        | 0.08    | 162.8   | 0.41    | -53.9   | 0.006   | 166.0   | 0.65    | -25.2   |
| 800        | 0.08    | 156.6   | 0.40    | -58.4   | 0.008   | 166.5   | 0.65    | -26.9   |
| 850        | 0.06    | 152.3   | 0.40    | -62.7   | 0.009   | 171.2   | 0.66    | -28.7   |
| 900        | 0.05    | 145.2   | 0.39    | -66.4   | 0.012   | 177.6   | 0.66    | -30.3   |
| 950        | 0.04    | 131.1   | 0.38    | -71.6   | 0.015   | -179.7  | 0.67    | -31.9   |
| 1000       | 0.02    | 101.1   | 0.38    | -76.7   | 0.019   | 178.0   | 0.68    | -33.7   |
| 1250       | 0.08    | -41.5   | 0.27    | -96.8   | 0.042   | 137.1   | 0.73    | -43.2   |
| 1500       | 0.40    | -87.6   | 0.24    | -90.2   | 0.036   | 129.9   | 0.78    | -53.3   |
| 1750       | 0.50    | -144.1  | 0.30    | -114.0  | 0.058   | 142.8   | 0.86    | -63.8   |
| 2000       | 0.51    | -173.5  | 0.22    | -133.0  | 0.174   | 151.6   | 0.96    | -81.3   |

Table 3. LPA S-Parameters: 200  $\Omega$  Pull-Up Resistor

| Freq (MHz) | S11 Mag | S11 Ang | S21 Mag | S21 Ang | S12 Mag | S12 Ang | S22 Mag | S22 Ang |
|------------|---------|---------|---------|---------|---------|---------|---------|---------|
| 200        | 0.76    | -26.0   | 9.3     | 148.1   | 0.0006  | 73.3    | 0.60    | -12.4   |
| 300        | 0.71    | -37.5   | 8.5     | 135.2   | 0.0011  | 74.4    | 0.60    | -18.5   |
| 400        | 0.67    | -47.2   | 7.6     | 124.5   | 0.0011  | 79.6    | 0.61    | -24.6   |
| 450        | 0.64    | -51.7   | 7.2     | 118.6   | 0.0010  | 66.0    | 0.62    | -28.3   |
| 500        | 0.62    | -55.4   | 6.9     | 114.2   | 0.0011  | 45.4    | 0.62    | -31.6   |
| 600        | 0.58    | -63.7   | 6.3     | 105.3   | 0.0012  | 16.7    | 0.64    | -38.8   |
| 700        | 0.54    | -72.1   | 5.6     | 95.2    | 0.0016  | -20.9   | 0.66    | -45.6   |
| 750        | 0.52    | -74.6   | 5.4     | 91.8    | 0.0013  | -36.9   | 0.66    | -48.5   |
| 800        | 0.51    | -77.9   | 5.2     | 87.7    | 0.0023  | -50.8   | 0.67    | -52.6   |
| 850        | 0.49    | -80.3   | 5.0     | 83.8    | 0.0033  | -63.6   | 0.68    | -56.1   |
| 900        | 0.49    | -83.5   | 4.7     | 79.6    | 0.0044  | -78.7   | 0.68    | -60.3   |
| 950        | 0.48    | -85.4   | 4.5     | 77.2    | 0.0060  | -90.3   | 0.68    | -63.2   |
| 1000       | 0.48    | -88.8   | 4.3     | 74.7    | 0.0082  | -97.6   | 0.68    | -65.8   |
| 1250       | 0.51    | -102.7  | 3.7     | 58.8    | 0.0249  | -136.6  | 0.73    | -74.6   |
| 1500       | 0.48    | -119.7  | 3.3     | 37.6    | 0.0273  | 172.0   | 0.90    | -87.7   |
| 1750       | 0.47    | -130.0  | 2.7     | 20.5    | 0.0290  | 166.5   | 0.97    | -103.7  |
| 2000       | 0.51    | -136.7  | 2.2     | -1.1    | 0.0386  | 164.1   | 1.01    | -119.1  |

OUTLINE DIMENSIONS

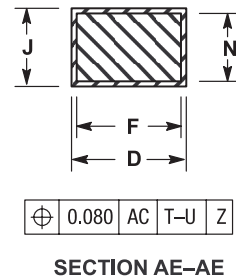
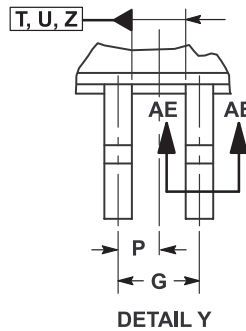
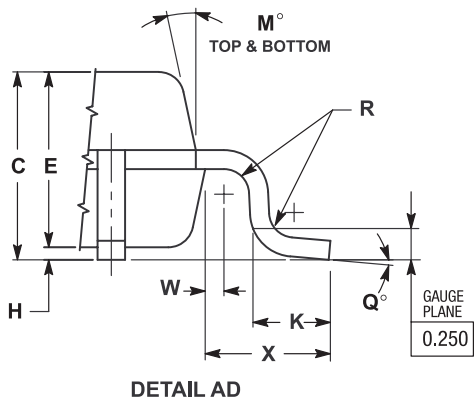
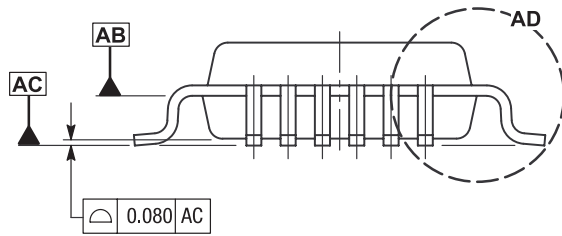
LQFP 24 = -9P  
 PLASTIC PACKAGE  
 (ML13146-9P)  
 CASE 977-02  
 ISSUE A



NOTES:

- 1 CONTROLLING DIMENSION: MILLIMETER.
  - 2 DIMENSIONS AND TOLERANCES PER ASME Y14.5M, 1994.
  - 3 DATUM PLANE AB IS LOCATED AT BOTTOM OF LEAD AND IS COINCIDENT WITH THE LEAD WHERE THE LEAD EXITS THE PLASTIC BODY AT THE BOTTOM OF THE PARTING LINE.
  - 4 DATUMS T, U, AND Z TO BE DETERMINED AT DATUM PLANE AB.
  - 5 DIMENSIONS S AND V TO BE DETERMINED AT DATUM PLANE AC.
  - 6 DIMENSIONS A AND B DO NOT INCLUDE MOLD PROTRUSION. ALLOWABLE PROTRUSION IS 0.250 PER SIDE. DIMENSIONS A AND B DO INCLUDE MOLD MISMATCH AND ARE DETERMINED AT DATUM PLANE AB.
  - 7 DIMENSION D DOES NOT INCLUDE DAMBAR PROTRUSION. DAMBAR PROTRUSION SHALL NOT CAUSE THE D DIMENSION TO EXCEED 0.350.
  - 8 MINIMUM SOLDER PLATE THICKNESS SHALL BE 0.0076.
- △ EXACT SHAPE OF EACH CORNER IS OPTIONAL.

| MILLIMETERS |       |       |
|-------------|-------|-------|
| DIM         | MIN   | MAX   |
| A           | 4.000 | BSC   |
| A1          | 2.000 | BSC   |
| B           | 4.000 | BSC   |
| B1          | 2.000 | BSC   |
| C           | 1.400 | 1.600 |
| D           | 0.170 | 0.270 |
| E           | 1.350 | 1.450 |
| F           | 0.170 | 0.230 |
| G           | 0.500 | BSC   |
| H           | 0.050 | 0.150 |
| J           | 0.090 | 0.200 |
| K           | 0.500 | 0.700 |
| M           | 12°   | REF   |
| N           | 0.090 | 0.160 |
| P           | 0.250 | BSC   |
| Q           | 0°    | 7°    |
| R           | 0.150 | 0.250 |
| S           | 6.000 | BSC   |
| S1          | 3.000 | BSC   |
| V           | 6.000 | BSC   |
| V1          | 3.000 | BSC   |
| W           | 0.200 | REF   |
| X           | 1.000 | REF   |



Lansdale Semiconductor reserves the right to make changes without further notice to any products herein to improve reliability, function or design. Lansdale does not assume any liability arising out of the application or use of any product or circuit described herein; neither does it convey any license under its patent rights nor the rights of others. "Typical" parameters which may be provided in Lansdale data sheets and/or specifications can vary in different applications, and actual performance may vary over time. All operating parameters, including "Typicals" must be validated for each customer application by the customer's technical experts. Lansdale Semiconductor is a registered trademark of Lansdale Semiconductor, Inc.